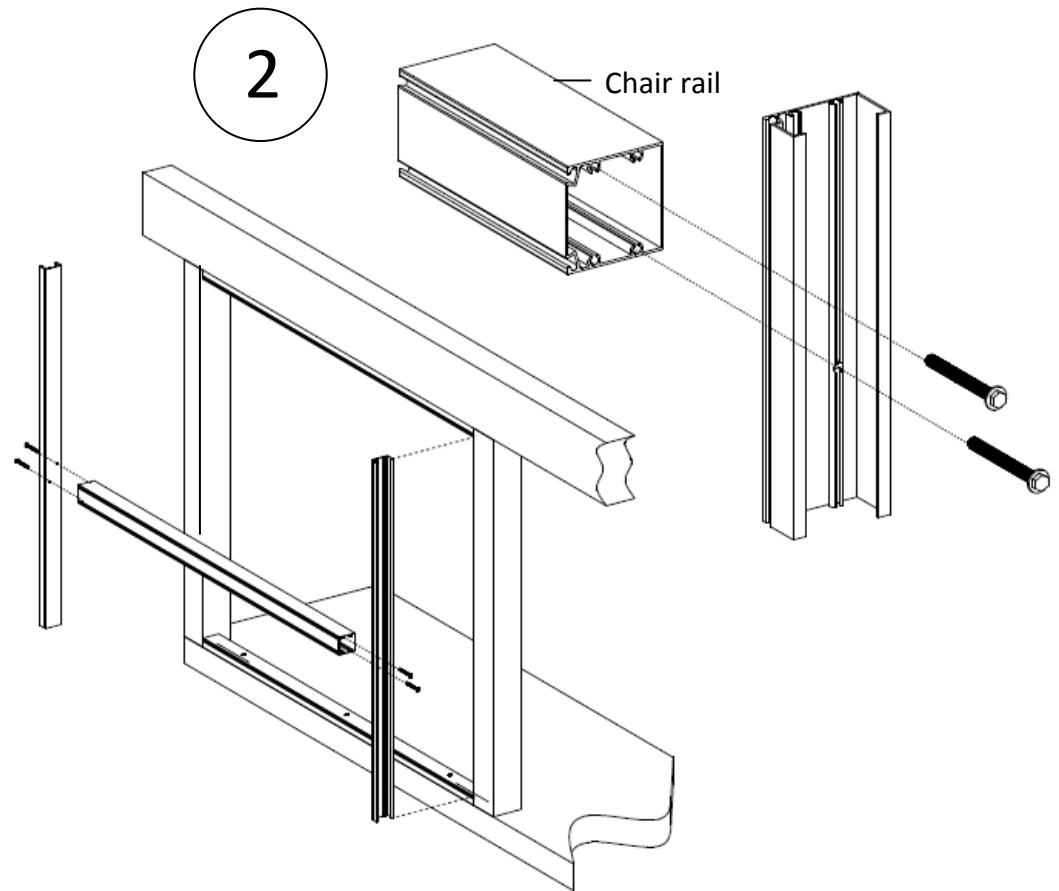
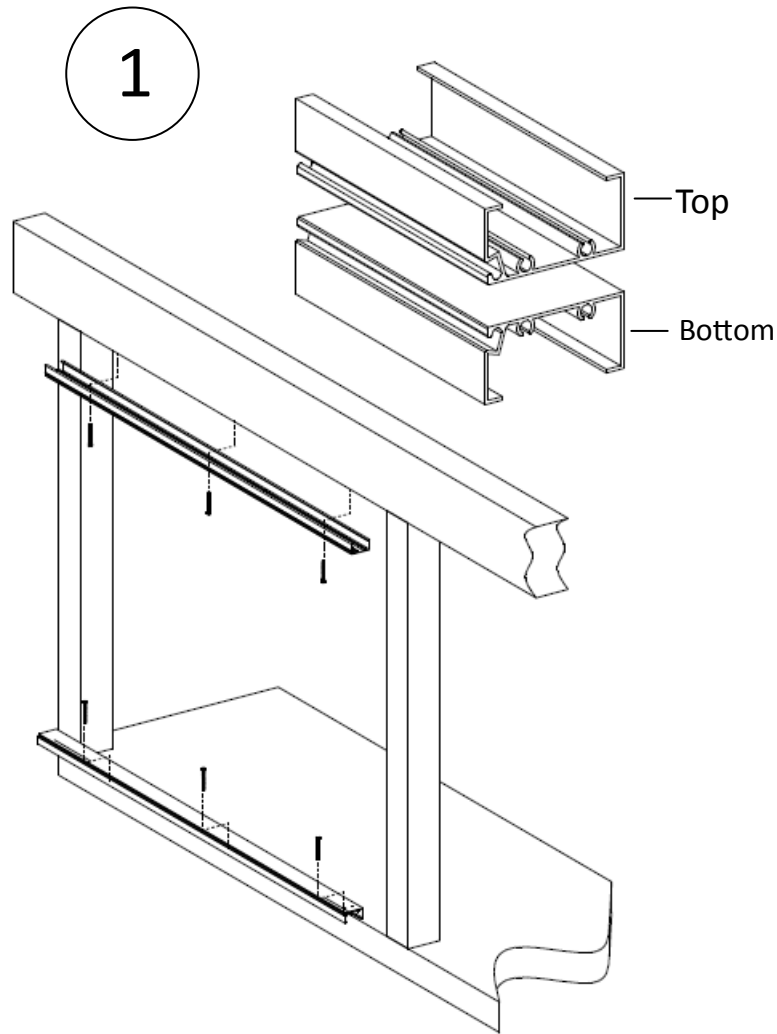
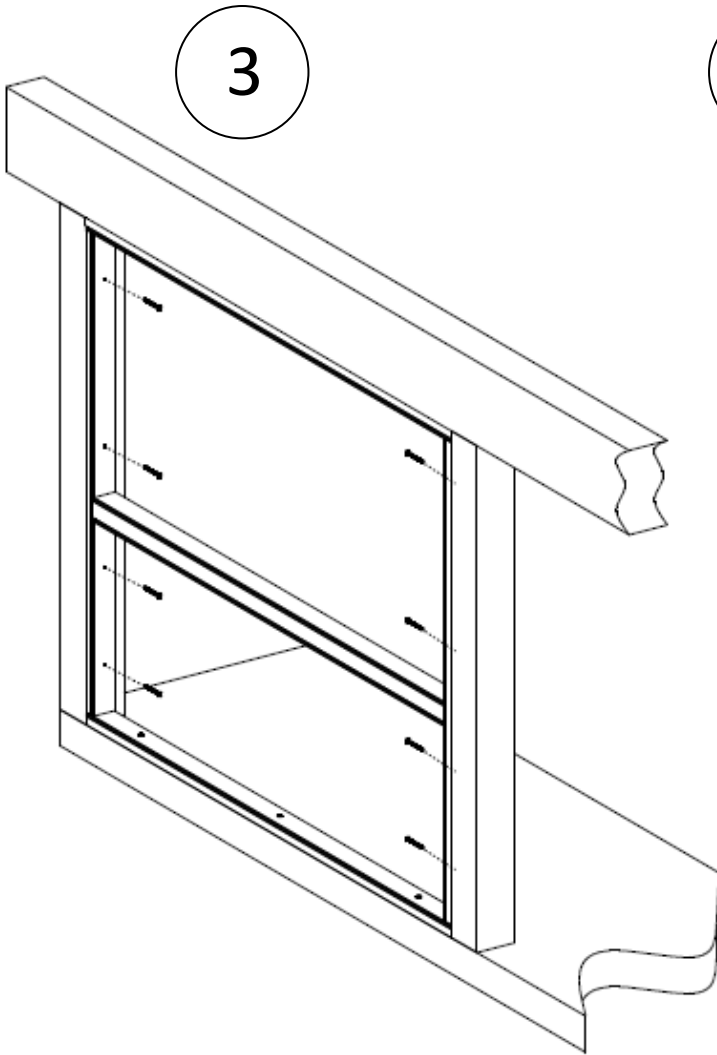


Screening an existing opening using -(1"x 2" and 2"x 2" extrusions)

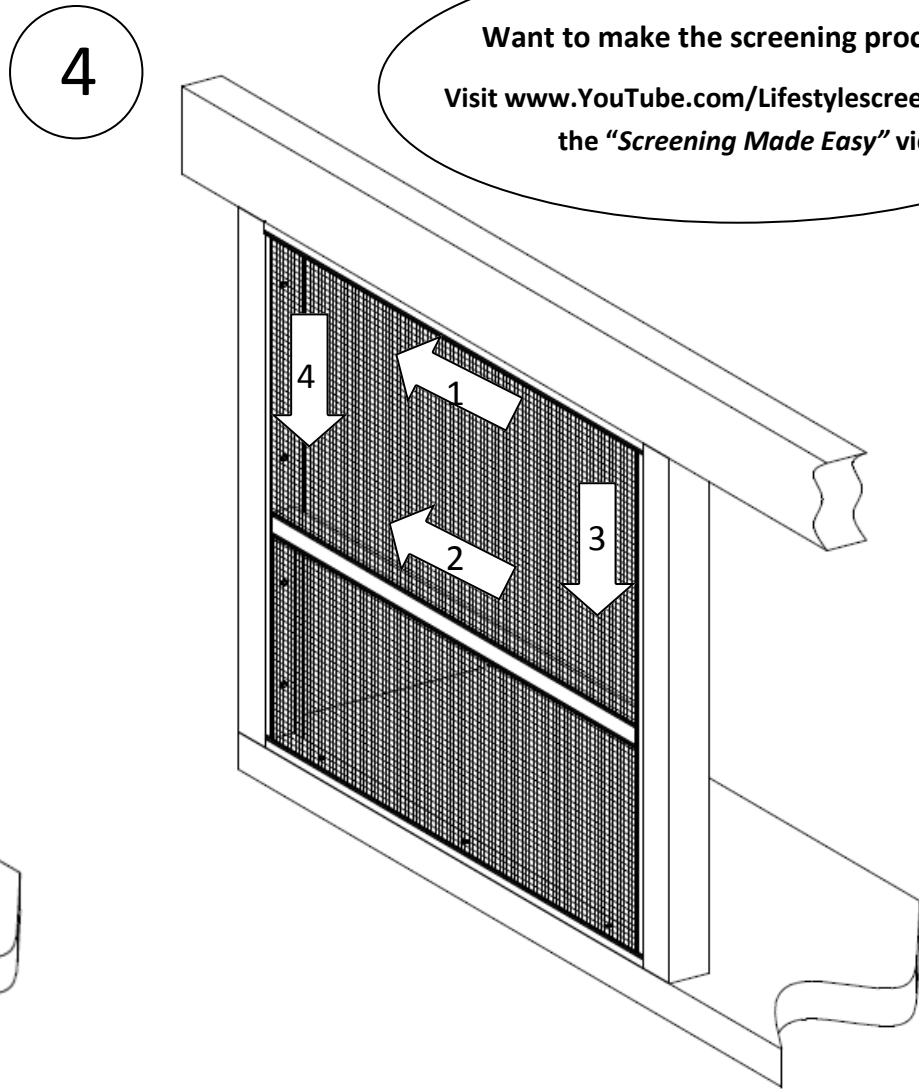


1. Measure the top and bottom of opening and cut the 1"x2" extrusions.
2. Insert extrusions as shown above and fasten with tap cons or wood screws depending on the structure's material.
3. Fasteners should be no more than 32" apart .

1. Measure between the top and bottom extrusions and cut the vertical 1"x2" extrusion.
2. Level across the opening at the preferred height of chair rail and place mark on opening, transfer the marks to the vertical 1"x2"s.
3. Measure across at chair rail level points and subtract 2" for the vertical extrusions.
4. Drill the vertical extrusions with 7/32" so holes line up with the 2"x2" screw boss pattern. **(NOTE: Cut a 3/8" piece of 2"x 2" to use as template for screw boss pattern)**
5. Fasten the chair rail to 1"x 2" as shown above using 2" screws and insert into opening.



1. Fasten the vertical 1x 2" using 2" wood screws or 2-1/4" tap cons anchors depending on structures material.



Want to make the screening process easy?
 Visit www.YouTube.com/Lifestylescreens and watch
 the "Screening Made Easy" video.

1. Roll the screen into top 1x 2" extrusion as shown above.
2. Roll the screen into 2x2" chair in the same direction as the top.
3. Roll the screen into the vertical extrusions in the same direction.