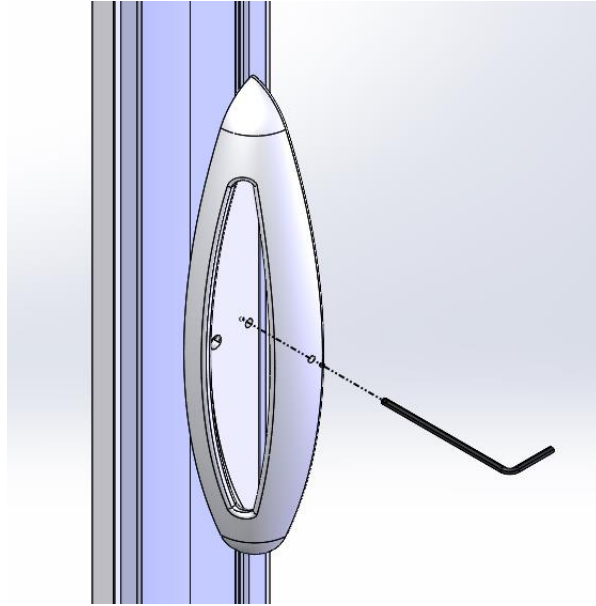
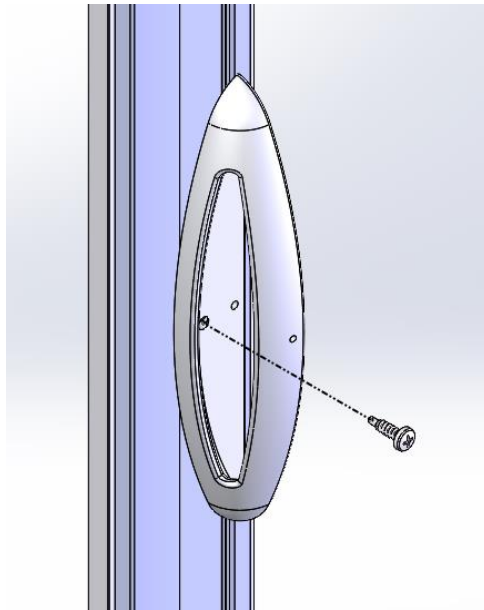


Milano handle anchor screw instructions.

Step 1. Position handle at the desired height and tighten setscrew to hold in place.



Step 2. Using #6 x 1/2" self-drilling screw, anchor the handle in position through the clearance hole in the handle.



Step 3. Repeat steps for opposite side handle.